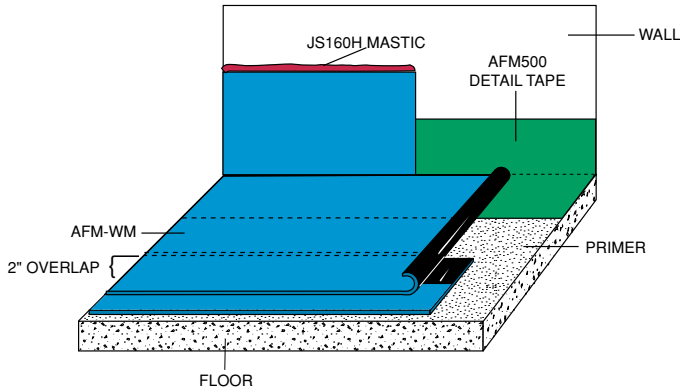
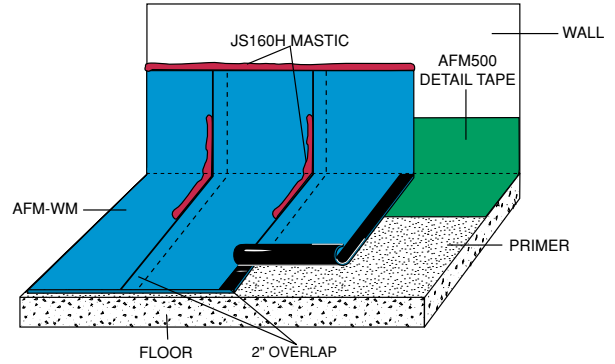


# DETAILS

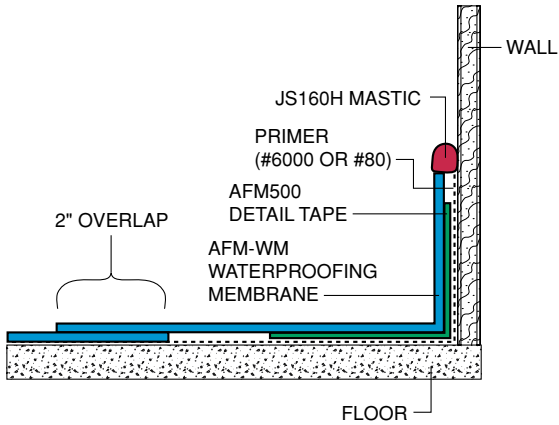
## FRONT VIEW #1



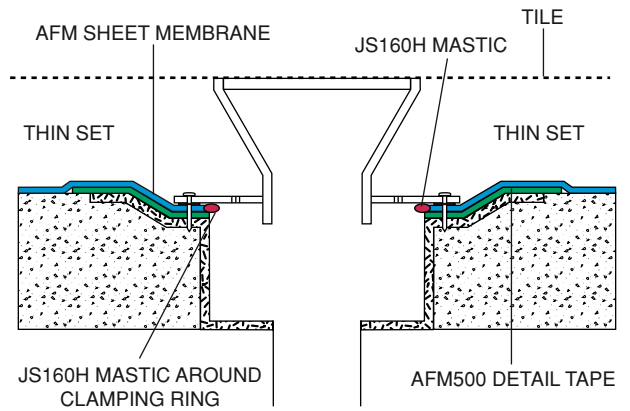
## FRONT VIEW #2



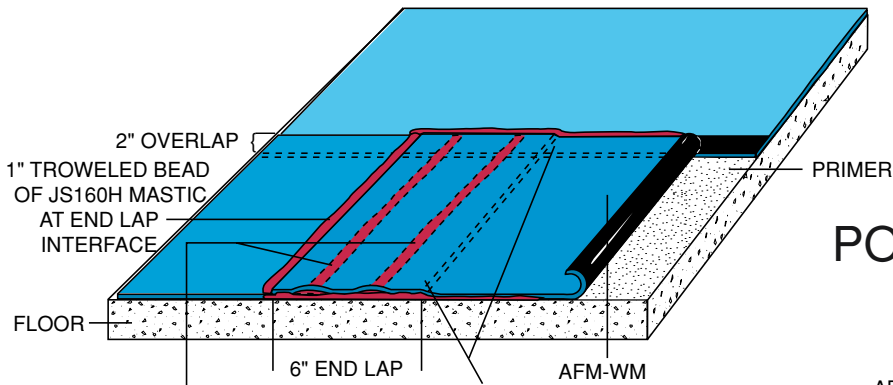
## INSIDE CORNER (SIDE VIEW)



## DRAIN DETAIL



## END LAP/T-JOINT



TWO 1" TROWELED BEADS OF JS160H MASTIC BETWEEN SHEETS OF AFM-WM AT END LAPS, 1" APART

## POST & PROTRUSION

